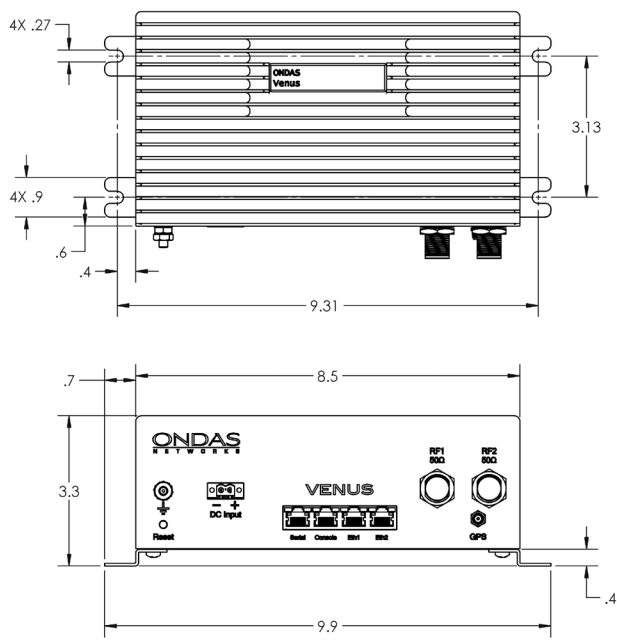


RADIO SPECIFICATIONS	
Frequency Range	70 MHz to 6 GHz
Channel Sizes	12.5 kHz to 10 MHz
Throughput	Up to 10 Mbps
TX Power	36 dBm @ Antenna Port
Rx Sensitivity	As low as -117 dBm
Waveform	OFDMA
Modulation	QPSK, 16-QAM, 64-QAM
FEC in downlink direction	Convolutional Coding (CC) with rates 1/2, 2/3, & 3/4
FEC in uplink direction	Convolutional Turbo Coding (CTC) with rates 1/2, 2/3, 3/4, 5/6
Duplex Method	TDD
Topology	Point to MultiPoint, Point to Point
Air interface protocol	Band AMC 1x6 as per IEEE 802.16s for Channel bandwidth > 12.5 kHz
Modulation Coding Scheme selection	Dynamically Adjusted
QOS	Best effort, Real time polling service

CONNECTORS / INTERFACES	
DC Input	Phoenix 1778508
Grounding Terminal	10-32 Thread Screw
Serial Data	RJ45 8/8 Jack - Cisco Serial
Console CLI	RJ45 8/8 Jack - Cisco Serial
Ethernet (X2)	RJ45 8/8 Jack
Antenna Port RF1	Type N Female Connector
Antenna Port RF2 ⁽¹⁾	Type N Female Connector
GPS	SMA Jack Female Connector
LCD Display	16x2 Backlit

(1) Antenna Port RF2 is RFU (Reserved for Future Use)

Physical Dimensions

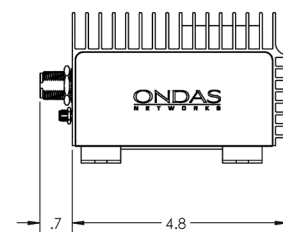


DIMENSIONS ARE IN INCHES
THIRD ANGLE PROJECTION

PHYSICAL CHARACTERISTICS	
RF Antenna (2X)	50Ω
GPS	Active 5VDC
Power Input	18 to 60 VDC
Data interface	100 Base T, RS232
Power Consumption	No Load: 13.1 watts @ 48 VDC Peak Load: 23.4 watts @ 48 VDC
Indicators	LCD Panel, Power
Dimensions	9.9" x 4.8" x 3.3" (252mm x 122mm x 84mm)
Weight	4 lbs. 2 oz (1.9 kg)
Enclosure Protection Rating	IP 50 Standard
Operating Temperature	-40° C to +75° C

SECURITY FEATURES	
AES-256 Traffic Encryption	
Three-way Handshake Over the Air Rekeying (OTAR)	
EAP-TLS Based Authentication with X.509 Certificate and RSA-4096 Public Key Encryption	
Hardware Based Secure Boot at the Root of the "Chain of Trust"	
NIST Certified Hardware Random Number Generator	
Memory Protection and Access Rights Limitation for Security Robustness	
Trusted Updates: Authenticated and Validated Upgrades and Configuration Changes	
Security Patch Management	
Secured SNMPv3 Remote Management	
SSHv2 Local Management	
Security Events Monitoring, Audit Ready	

COMPLIANCE	
IEEE 802.16s, IEEE 1613, Class 1 Division 2	



20190714